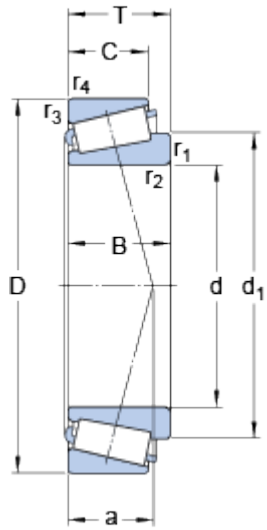


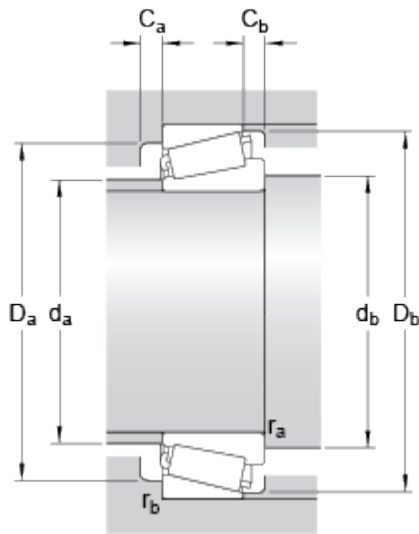
33108/Q

Dimensions



d		40	mm
D		75	mm
T		26	mm
d ₁	≈	57.5	mm
B		26	mm
C		20.5	mm
r _{1,2}	min.	1.5	mm
r _{3,4}	min.	1.5	mm
a		18	mm

Abutment dimensions



d _a	max.	47	mm
d _b	min.	47	mm
D _a	min.	65	mm
D _a	max.	68	mm
D _b	min.	71	mm
C _a	min.	4	mm
C _b	min.	5.5	mm
r _a	max.	1.5	mm
r _b	max.	1.5	mm

Calculation data

Basic dynamic load rating	C	79.2	kN
Basic static load rating	C ₀	104	kN
Fatigue load limit	P _u	11.4	kN
Reference speed		6700	r/min
Limiting speed		9000	r/min
Calculation factor	e	0.35	
Calculation factor	Y	1.7	

Calculation factor

Y_0

0.9

Mass

Mass bearing

0.5

kg